

ORDINANCE 2013-02

AN ORDINANCE OF THE CITY OF TOLAR, TEXAS, ADOPTING THE 2012 INTERNATIONAL RESIDENTIAL CODE THAT IS WRITTEN BY THE INTERNATIONAL CODE COUNCIL, AS THE STANDARD BY WHICH ALL CONSTRUCTION OR INSTALLATION PERFORMED WITHIN THE CITY LIMITS IS JUDGED; AND ADOPTING THE NCTCOG (NORTH CENTRAL TEXAS COUNCIL OF GOVERNMENTS) RECOMMENDED AMENDMENTS TO THE 2012 INTERNATIONAL RESIDENTIAL CODE AND REPEALING ALL ORDINANCES AND PARTS OF THE ORDINANCES IN CONFLICT THEREWITH.

WHEREAS, the City of Tolar has a responsibility to maintain the highest standards of quality and safety in all areas of constructions and manufacture; and

WHEREAS, the International Code Council, has established regulations and requirements which have been approved and accepted as a standard by which municipalities may measure performance and installation;

NOW, THEREFORE, BE IT ORDAINED BY THE CITY COUNCIL OF THE CITY OF TOLAR, TEXAS:

The 2012 Version of the International Residential Code and the recommended amendments by the NCTCOG (North Central Texas Council of Governments) thereto is hereby adopted and referred to as the Official Residential Code of the City of Tolar, and it is made a part of Chapter 3 - Building Regulations of the Code of Ordinances of the City of Tolar.

A copy of this 2012 International Residential Code and the NCTCOG recommended amendments shall be placed on file in the office of the City of Tolar.

Should the City Council desire to make any modifications to the 2012 International Residential Code, they shall adopt the amendments thereto by ordinance.

This ordinance shall be in full force and effective from and after its passage, and it is so ordained.

PASSED AND APPROVED THIS 19th DAY OF AUGUST 2013.


Terry R. Johnson, Mayor

ATTEST:


Joyce Johnson, City Secretary



**Recommended Amendments to the
2012 International Residential Code**
North Central Texas Council of Governments region

The following sections, paragraphs, and sentences of the *2012 International Residential Code* are hereby amended as follows: Standard type is text from the IRC. Underlined type is text inserted. ~~Lined through type is deleted text from IRC.~~ A double asterisk at the beginning of a section identifies an amendment carried over from the 2009 edition of the code and a triple asterisk identifies a new or revised amendment with the 2012 code.

Note: Historically NCTCOG has limited Chapter 1 amendments in order to allow each city to insert their local policies and procedures. We now have suggested certain items to be brought to the attention of cities considering adoption of the code that may be of concern to several jurisdictions. **It is still intended to be discretionary to each city to determine which Chapter 1 amendments to include.**

The energy provisions in Chapter 11 of the International Residential Code (IRC) now mirror the requirements of the International Energy Conservation Code (IECC). As such, there is no difference between Chapter 11 of the 2012 IRC and the 2012 IECC. **Reference the 2012 IECC for NCTCOG recommended amendments to that code.**

****Section R102.4; change to read as follows:**

R102.4 Referenced codes and standards. The codes, when specifically adopted, and standards referenced in this *code* shall be considered part of the requirements of this *code* to the prescribed extent of each such reference and as further regulated in Sections R102.4.1 and R102.4.2. Whenever amendments have been adopted to the referenced codes and standards, each reference to said code and standard shall be considered to reference the amendments as well. Any reference made to NFPA 70 or the *Electrical Code* shall mean the *Electrical Code* as adopted.

(Reason: Legal wording to recognize locally adopted codes and amendments adopted with referenced codes. Note: the former ICC Electrical Code is now Appendix K of the IBC, but no longer called by that name. If adopting in that location, be sure to include language that includes structures under IRC and IBC.)

****Section R110 (R110.1 through R110.5); delete the section.**

(Reason: Issuing CO's for residences is not a common practice in the area.)

****Section R112.2.1 & R112.2.2; delete the sections.**

(Reason: Floodplain provisions are addressed locally.)

****Section R202; change definition of "Townhouse" to read as follows:**

TOWNHOUSE. A single-family dwelling unit constructed in a group of three or more attached units separated by property lines in which each unit extends from foundation to roof and with a *yard* or *public* way on at least two sides.

(Reason: Consistent with terminology commonly used in this region.)

***Table R301.2(1); fill in as follows:

| GROUND SNOW LOAD | WIND DESIGN | | SEISMIC DESIGN CATEGORY ^f |
|----------------------------|--|----------------------------------|--------------------------------------|
| | SPEED ^d (mph) | Topographic Effects ^k | |
| <u>5 lb/ft²</u> | <u>90 (3-sec-gust)/76 fastest mile</u> | <u>No</u> | <u>A</u> |

| SUBJECT TO DAMAGE FROM | | |
|-------------------------|-------------------------------|----------------------|
| Weathering ^a | Frost line depth ^b | Termite ^c |
| <u>moderate</u> | <u>6"</u> | <u>very heavy</u> |

| WINTER DESIGN TEMP ^e | ICE BARRIER UNDER-LAYMENT REQUIRED ^h | FLOOD HAZARDS ^g | AIR FREEZING INDEX ⁱ | MEAN ANNUAL TEMP ^j |
|---------------------------------|---|----------------------------|---------------------------------|-------------------------------|
| <u>22°F</u> | <u>No</u> | <u>local code</u> | <u>150</u> | <u>64.9°F</u> |

{No change to footnotes}

(Reason: To promote regional uniformity.)

***Section R302.1; add exception #6 to read as follows:

Exceptions: {previous exceptions unchanged}

6. Open non-combustible carport structures may be constructed when also approved within adopted ordinances.

(Reason: Refers to other ordinances, such as zoning ordinances.)

***Section R302.2, Exception; change to read as follows:

Exception: A common two-hour fire-resistance-rated wall assembly, or one-hour fire-resistance-rated wall assembly when equipped with a sprinkler system... {remainder unchanged}

(Reason: Consistent with regional practice.)

***Section R302.2.4, Exception 5; change to read as follows:

Exception: {previous exceptions unchanged}

5. Townhouses separated by a common 4-hour fire-resistance-rated wall as provided in Section R302.2.

(Reason: Consistent with regional practice.)

***Section R302.3; add Exception #3 to read as follows:

Exceptions:

1. {existing text unchanged}
2. {existing text unchanged}
3. Two-family dwelling units that are also divided by a property line through the structure shall be separated as required for townhouses.

(Reason: Provide guidance for a common construction method in this area. Correlates with amendment to IRC Section R202 Townhouse definition.)

*****Section R302.5.1; change to read as follows:**

R302.5.1 Opening protection. Openings from a private garage directly into a room used for sleeping purposes shall not be permitted. Other openings between the garage and residence shall be equipped with solid wood doors not less than 13/8 inches (35 mm) in thickness, solid or honeycomb core steel doors not less than 13/8 inches (35 mm) thick, or 20-minute fire-rated doors equipped with a self-closing device.

(Reason: Consistent with common local practice. Absence of data linking self-closing devices to increased safety. Self-closing devices often fail to close the door entirely.)

*****Section R303.3, Exception; amend to read as follows:**

Exception: The glazed areas {remainder unchanged} unless the space contains only a water closet, a lavatory, or water closet and a lavatory may be ventilated with an approved mechanical recirculating fan or similar device designed to remove odors from the air.

(Reason: Consistent with common local practice.)

*****R303.4 Mechanical Ventilation; change to read as follows:**

Where the air infiltration rate of a dwelling unit is ~~less than~~ 5 air changes per hour ~~or less~~ when tested with a blower door at a pressure of 0.2 inch w.c. (50 Pa) in accordance with Section N1102.4.1.2, the dwelling unit shall be provided with whole-house mechanical ventilation in accordance with Section M1507.3.

(Reason: See IECC change to performance testing. Whole-house ventilation is recognized as necessary.)

*****Section R315.3, amend and add exceptions as follows:**

Where required in existing dwellings. Where work requiring a permit for an addition or an alteration that occurs in existing dwellings, that have attached garages or in existing dwellings within which fuel-fired appliances exist, carbon monoxide alarms shall be provided in accordance with Section R315.1:

Exceptions:

1. Work involving the exterior surfaces of dwellings, such as the replacement of roofing or siding, or the addition or replacement of windows or doors, or the addition of a porch or deck, are exempt from the requirements of this section.
2. Installation, alteration or repairs of plumbing or mechanical systems are exempt from the requirements of this section.

(Reason: Consistent with exceptions in Section R314.3.1)

*****Section R401.2, amended by adding a new paragraph following the existing paragraph to read as follows.**

Section R401.2. Requirements. {existing text unchanged} ...

Every foundation and/or footing, or any size addition to an existing post-tension foundation, regulated by this code shall be designed and sealed by a Texas-registered engineer.

(Reason: reflects regional practice.)

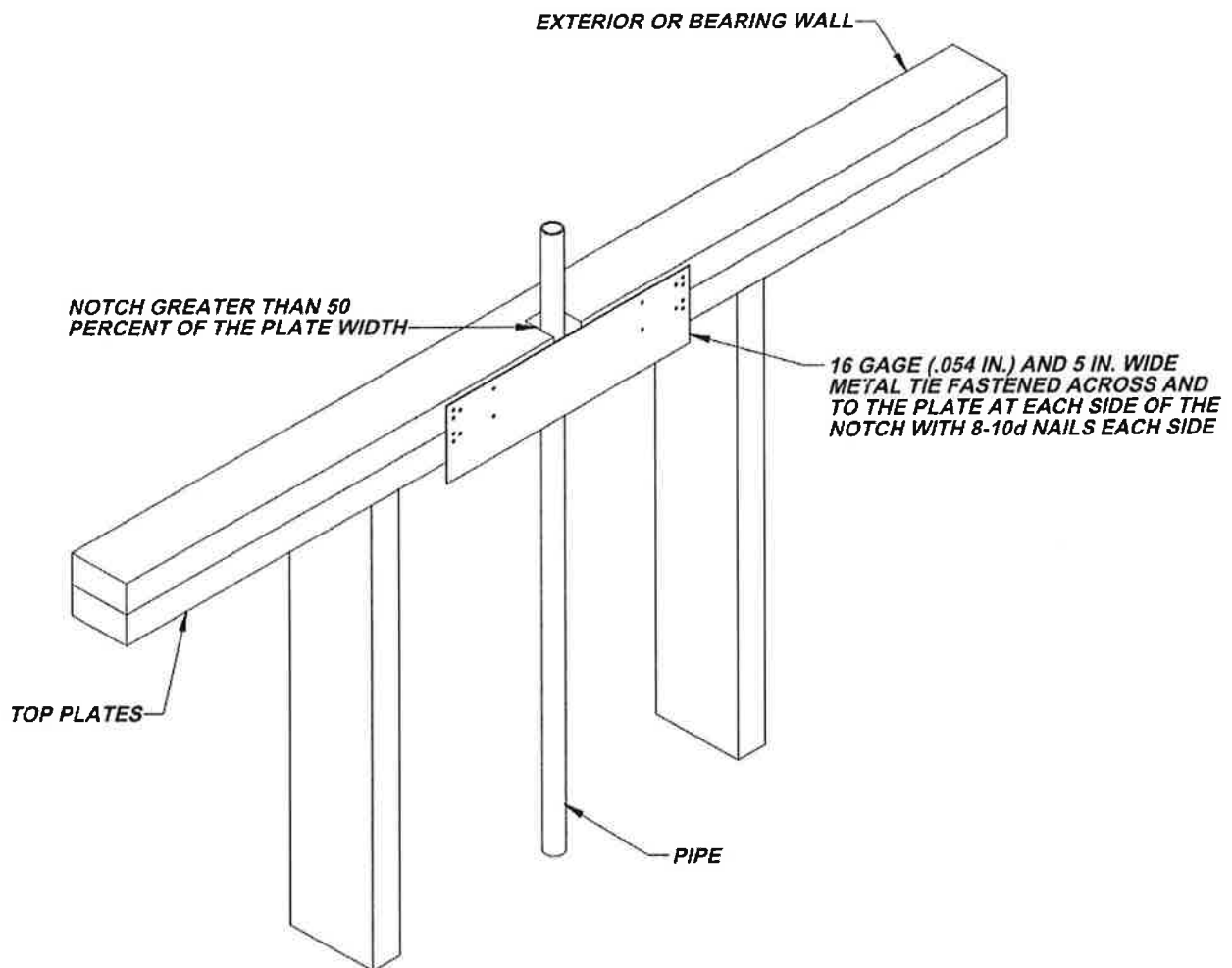
****Section 602.6.1; amend the following:**

R602.6.1 Drilling and notching of top plate. When piping or ductwork is placed in or partly in an exterior wall or interior load-bearing wall, necessitating cutting, drilling or notching of the top plate by more

than 50 percent of its width, a galvanized metal tie not less than 0.054 inch thick (1.37 mm) (16 Ga) and 4 ½ inches (38) mm 5 inches (127 mm) wide shall be fastened across and to the plate at each side of the opening with not less than eight 10d (0.148 inch diameter) having a minimum length of 1 ½ inches (38 mm) at each side or equivalent. Fasteners will be offset to prevent splitting of the top plate material. The metal tie must extend a minimum of 6 inches past the opening. See figure R602.6.1. {remainder unchanged}

(Reason: reflects regional practice and to comply with P2603.2.1. Also provides additional assurance of maintaining the integrity of the framing by spreading the nailing pattern.)

****Figure R602.6.1; delete the figure and insert the following figure:**



(Reason: reflects regional practice and to comply with P2603.2.1. Also provides additional assurance of maintaining the integrity of the framing by spreading the nailing pattern.)

****Section R703.7.4.1; add a second paragraph to read as follows:**

In stud framed exterior walls, all ties shall be anchored to studs as follows:

1. When studs are 16 in (407 mm) o.c., stud ties shall be spaced no further apart than 24 in (737 mm) vertically starting approximately 12 in (381 mm) from the foundation; or

2. When studs are 24 in (610 mm) o.c., stud ties shall be spaced no further apart than 16 in (483 mm) vertically starting approximately 8 in (254 mm) from the foundation.

(Reason: Provide easy to install and inspect dimensions to clarify how to anchor and to distinguish "studs" from other types of construction.)

****Section R902.1; Amend and add exception #3 to read as follows:**

R902.1 Roofing covering materials. Roofs shall be covered with materials as set forth in Sections R904 and R905. Class A, B, or C roofing shall be installed in areas designated by law as requiring their use or when the edge of the roof is less than 3 feet from a lot line. *{remainder unchanged}*

Exceptions:

1. *{text unchanged}*
2. *{text unchanged}*
3. *{text unchanged}*
4. Non-classified roof coverings shall be permitted on one-story detached accessory structures used as tool and storage sheds, playhouses and similar uses, provided the floor area does not exceed (area defined by jurisdiction).

(Reason: Consistent with regional practice. Language fits better in this section. Aligned the area and description of the building to be consistent with the item #1 to Section R105.2)

Part IV – Energy Conservation - Chapter 11 [RE] * insert text to read as follows:**

Residential Provisions for Energy Efficiency

(Reason: To remain consistent with IECC residential provisions.)

*****Section M1305.1.3; change to read as follows:**

M1305.1.3 Appliances in attics. Attics containing appliances requiring access shall be provided . . . *{bulk of paragraph unchanged}* . . . sides of the appliance where access is required. The clear access opening dimensions shall be a minimum of 20 inches by 30 inches (508 mm by 762 mm), or larger and large enough to allow removal of the largest appliance. A walkway to an appliance shall be rated as a floor as approved by the building official. As a minimum, for access to the attic space, provide one of the following:

1. A permanent stair.
2. A pull down stair with a minimum 300 lb (136 kg) capacity.
3. An access door from an upper floor level.
4. Access Panel may be used in lieu of items 1, 2, and 3 with prior approval of the code official due to building conditions.

Exceptions:

1. The passageway and level service space are not required where the appliance can be serviced and removed through the required opening.
2. Where the passageway is unobstructed...*{remaining text unchanged}*

(Reason: To provide a safe means of accessibility to appliances in attics and to allow for different types of construction limitations. Consistent with regional amendment to IFGC and IMC 306.3.)

****Section M1411.3; change to read as follows:**

M1411.3 Condensate disposal. Condensate from all cooling coils or evaporators shall be conveyed from the drain pan outlet to an ~~approved place of disposal~~ a sanitary sewer through a trap, by means of a direct or indirect drain. {remaining text unchanged}

(Reason: Reflects regional practice and to reduce excessive runoff into storm drains.)

****Section M1411.3.1, Items 3 and 4; add text to read as follows:**

M1411.3.1 Auxiliary and secondary drain systems. {bulk of paragraph unchanged}

1. {text unchanged}
2. {text unchanged}
3. An auxiliary drain pan... {bulk of text unchanged}... with Item 1 of this section. A water level detection device may be installed only with prior approval of the building official.
4. A water level detection device... {bulk of text unchanged}... overflow rim of such pan. A water level detection device may be installed only with prior approval of the building official.

(Reason: Reflects standard practice in this area.)

****Section M1411.3.1.1; add text to read as follows:**

M1411.3.1.1 Water-level monitoring devices. On down-flow units ... {bulk of text unchanged}... installed in the drain line. A water level detection device may be installed only with prior approval of the building official.

(Reason: Reflects standard practice in this area.)

*****M1503.4 Makeup Air Required Amend and add exception as follows:**

M1503.4 Makeup air required. Exhaust hood systems capable of exhausting in excess of 400 cubic feet per minute (0.19 m³/s) shall be provided with makeup air at a rate approximately equal to the difference between the exhaust air rate and 400 cubic feet per minute. Such makeup air systems shall be equipped with a means of closure and shall be automatically controlled to start and operate simultaneously with the exhaust system.

Exception: Where all appliances in the house are of sealed combustion, power-vent, unvented, or electric, the exhaust hood system shall be permitted to exhaust up to 600 cubic feet per minute (0.28 m³/s) without providing makeup air. Exhaust hood systems capable of exhausting in excess of 600 cubic feet per minute (0.28 m³/s) shall be provided with a makeup air at a rate approximately equal to the difference between the exhaust air rate and 600 cubic feet per minute.

(Reason:

Exception requires makeup air equaling the amount above and beyond 400 cfm for larger fan which will address concerns related to "fresh" air from the outdoors in hot humid climates creating a burden on HVAC equipment and negative efficiency impacts from backdrafting and wasted energy.

****Section M2005.2; change to read as follows:**

M2005.2 Prohibited locations. Fuel-fired water heaters shall not be installed in a room used as a storage closet. Water heaters located in a bedroom or bathroom shall be installed in a sealed enclosure so that *combustion air* will not be taken from the living space. Access to such enclosure may be from the bedroom or bathroom when through a solid door, weather-stripped in accordance with the exterior door air leakage requirements of the *International Energy Conservation Code* and equipped with an approved self-closing device. Installation of direct-vent water heaters within an enclosure is not required.

(Reason: Corresponds with the provisions of IFGC Section 303, exception #5.)

c

****Section G2408.3 (305.5); delete.**

Reason: This provision does not reflect standard practice in this area.)

****Section G2415.2.1 (404.2.1); add a second paragraph to read as follows:**

Both ends of each section of medium pressure gas piping shall identify its operating gas pressure with an approved tag. The tags are to be composed of aluminum or stainless steel and the following wording shall be stamped into the tag:

"WARNING
1/2 to 5 psi gas pressure
Do Not Remove"

(Reason: To protect homeowners and plumbers.)

****Section G2415.2.2 (404.2.2); add an exception to read as follows:**

Exception: Corrugated stainless steel tubing (CSST) shall be a minimum of 1/2" (18 EDH).

(Reason: Pipe less than 1/2" has a history in this region of causing whistling.)

****Section G2415.12 (404.12); change to read as follows:**

G2415.12 (404.12) Minimum burial depth. Underground *pipng systems* shall be installed a minimum depth of 12 inches (305 mm) 18 inches (457 mm) below grade, except as provided for in Section G2415.12.1.

(Reason: To provide increased protection to piping systems.)

*****Section G2415.12.1 (404.12.1); change to read as follows:**

G2415.12.1) Individual outside appliances. Individual lines to outside lights, grills or other appliances shall be installed a minimum of 8-12 inches (203 mm) below finished grade.... Rest unchanged.

(Reason: To provide increased protection to piping systems.)

****Section G2417.1 (406.1); change to read as follows:**

G2417.1 (406.1) General. Prior to acceptance and initial operation, all *pipng* installations shall be inspected and *pressure tested* to determine that the materials, design, fabrication, and installation practices comply with the requirements of this *code*. The *permit* holder shall make the applicable tests prescribed in Sections 2417.1.1 through 2417.1.5 to determine compliance with the provisions of this *code*. The *permit* holder shall give reasonable advance notice to the *building official* when the *pipng system* is ready for testing. The *equipment*, material, power and labor necessary for the inspections and test shall be furnished by the *permit* holder and the *permit* holder shall be responsible for determining that the work will withstand the test pressure prescribed in the following tests.

(Reason: To utilize language used in the IPC regarding who is responsible for testing procedures.)

****Section G2417.4; change to read as follows:**

G2417.4 (406.4) Test pressure measurement. Test pressure shall be measured with a manometer or with a pressure-measuring device designed and calibrated to read, record, or indicate a pressure loss caused by leakage during the *pressure test* period. The source of pressure shall be isolated before the *pressure tests* are made. ~~Mechanical gauges~~ Gauges used to measure... {remainder unchanged}

(Reason: To require the use of more accurate diaphragm gauges. Spring gauges do not provide accurate measurement below approximately 17 psig.)

****Section G2417.4.1; change to read as follows:**

G2417.4.1 (406.4.1) Test pressure. The test pressure to be used shall be not less than one and one-half times the proposed maximum working pressure, but not less than 3 psig (20 kPa gauge), or at the discretion of the *Building Official*, the *pipng* and *valves* may be tested at a pressure of at least six (6) inches (152 mm) of mercury, measured with a manometer or slope gauge. ~~irrespective of design pressure. Where the test pressure exceeds 125 psig (862 kPa gauge), the test pressure shall not exceed a value that produces a hoop stress in the *pipng* greater than 50 percent of the specified minimum yield strength of the *pipe*. For tests requiring a pressure of 3 psig, mechanical gauges used to measure test pressures shall utilize a dial with a minimum diaphragm diameter of three and one half inches (3 1/2"), a set hand, 1/10 pound incrementation and pressure range not to exceed 6 psi for tests requiring a pressure of 3 psig. For tests requiring a pressure of 10 psig, mechanical diaphragm gauges shall utilize a dial with a minimum diameter of three and one-half inches (3 1/2"), a set hand, a minimum of 2/10 pound incrementation and a pressure range not to exceed 20 psi. have a range such that the highest end of the scale is not greater than five times the test pressure.~~

For welded *pipng*, and for *pipng* carrying gas at pressures in excess of fourteen (14) inches water column pressure (3.48 kPa) (1/2 psi) and less than 200 inches of water column pressure (52.2 kPa) (7.5 psi), the test pressure shall not be less than ten (10) pounds per square inch (69.6 kPa). For *pipng* carrying gas at a pressure that exceeds 200 inches of water column (52.2 kPa) (7.5 psi), the test pressure shall be not less than one and one-half times the proposed maximum working pressure.

(Reason: To provide for lesser pressures to coordinate with the use of more accurate diaphragm gauges.)

****Section G2417.4.2; change to read as follows:**

G2417.4.2 (406.4.2) Test duration. The test duration shall be held for a length of time satisfactory to the *Building Official*, but in no case for be not less than 10 fifteen (15) minutes. For welded *pipng*, and for *pipng* carrying gas at pressures in excess of fourteen (14) inches water column pressure (3.48 kPa), the

test duration shall be held for a length of time satisfactory to the *Building Official*, but in no case for less than thirty (30) minutes.

(Reason: To comply with accepted regional practices.)

****Section G2420.1 (406.1); add Section G2420.1.4 to read as follows:**

G2420.1.4 Valves in CSST installations. Shutoff valves installed with corrugated stainless steel (CSST) piping systems shall be supported with an approved termination fitting, or equivalent support, suitable for the size of the valves, of adequate strength and quality, and located at intervals so as to prevent or damp out excessive vibration but in no case greater than 12-inches from the center of the valve. Supports shall be installed so as not to interfere with the free expansion and contraction of the system's piping, fittings, and valves between anchors. All valves and supports shall be designed and installed so they will not be disengaged by movement of the supporting piping.

(Reason: To provide proper security to CSST valves. These standards were established in this region in 1999 when CSST was an emerging technology.)

*****Section G2420.5.1 (409.5.1); add text to read as follows:**

G2420.5.1 (409.5.1) Located within the same room. The shutoff valve ... {bulk of paragraph unchanged}... in accordance with the appliance manufacturer's instructions. A secondary shutoff valve must be installed within 3 feet (914 mm) of the firebox if appliance shutoff is located in the firebox.

(Reason: Reflects regional practice and provides an additional measure of safety.)

****Section G2421.1 (410.1); add text and Exception to read as follows:**

G2421.1 (410.1) Pressure regulators. A line pressure regulator shall be ... {bulk of paragraph unchanged}... approved for outdoor installation. Access to regulators shall comply with the requirements for access to appliances as specified in Section M1305.

Exception: A passageway or level service space is not required when the regulator is capable of being serviced and removed through the required attic opening.

(Reason: To require adequate access to regulators.)

****Section G2422.1.2.3 (411.1.3.3); delete Exception 1 and Exception 4.**

(Reason: To comply with accepted regional practices.)

****Section G2445.2 (621.2); add Exception to read as follows:**

G2445.2 (621.2) Prohibited use. One or more unvented room heaters shall not be used as the sole source of comfort heating in a dwelling unit.

Exception: Existing approved unvented room heaters may continue to be used in dwelling units, in accordance with the code provisions in effect when installed, when approved by the Building Official unless an unsafe condition is determined to exist as described in International Fuel Gas Code Section 108.7 of the Fuel Gas Code.

(Reason: Gives code official discretion)

****Section G2448.1.1 (624.1.1); change to read as follows:**

G2448.1.1 (624.1.1) Installation requirements. The requirements for *water heaters* relative to access, sizing, relief valves, drain pans and scald protection shall be in accordance with this code.

(Reason: To clarify installation requirements. Also corresponds with amendments regarding water heater access.)

****Section P2801.6; add Exception to read as follows:**

Exceptions:

1. Electric Water Heater.

(Reason: To coordinate with Section 2408.2 of the IRC, which recognizes this exception.)

****Section P2902.5.3; change to read as follows:**

P2902.5.3 Lawn irrigation systems. The potable water supply to lawn irrigation systems shall be protected against backflow by an atmospheric-type vacuum breaker, a pressure-type vacuum breaker, a double-check assembly or a reduced pressure principle backflow preventer. A valve shall not be installed downstream from an atmospheric vacuum breaker. Where chemicals are introduced into the system, the potable water supply shall be protected against backflow by a reduced pressure principle backflow preventer.

(Reason: To provide clarity.)

****Section P3005.2.6; change to read as follows:**

P3005.2.6 ~~Base of stacks Upper Terminal.~~ ~~A cleanout shall be provided at the base of each waste or soil stack.~~ Each horizontal drain shall be provided with a cleanout at its upper terminal.

Exception: Cleanouts may be omitted on a horizontal drain less than five (5) feet (1524 mm) in length unless such line is serving sinks or urinals.

(Reason: To eliminate the requirement for excessive cleanouts.)

****Section P3111; delete.**

(Reason: A combination waste and vent system is not approved for use in residential construction.)

****Section P3112.2; delete and replace with the following:**

P3112.2 Installation. Traps for island sinks and similar equipment shall be roughed in above the floor and may be vented by extending the vent as high as possible, but not less than the drainboard height and

then returning it downward and connecting it to the horizontal sink drain immediately downstream from the vertical fixture drain. The return vent shall be connected to the horizontal drain through a wye-branch fitting and shall, in addition, be provided with a foot vent taken off the vertical fixture vent by means of a wye-branch immediately below the floor and extending to the nearest partition and then through the roof to the open air or may be connected to other vents at a point not less than six (6) inches (152 mm) above the flood level rim of the fixtures served. Drainage fittings shall be used on all parts of the vent below the floor level and a minimum slope of one-quarter (1/4) inch per foot (20.9 mm/m) back to the drain shall be maintained. The return bend used under the drainboard shall be a one (1) piece fitting or an assembly of a forty-five (45) degree (0.79 radius), a ninety (90) degree (1.6 radius) and a forty-five (45) degree (0.79 radius) elbow in the order named. Pipe sizing shall be as elsewhere required in this Code. The island sink drain, upstream of the return vent, shall serve no other fixtures. An accessible cleanout shall be installed in the vertical portion of the foot vent.

(Reason: To clarify the installation of island venting and to provide a regional guideline on a standard installation method for this region.)

END